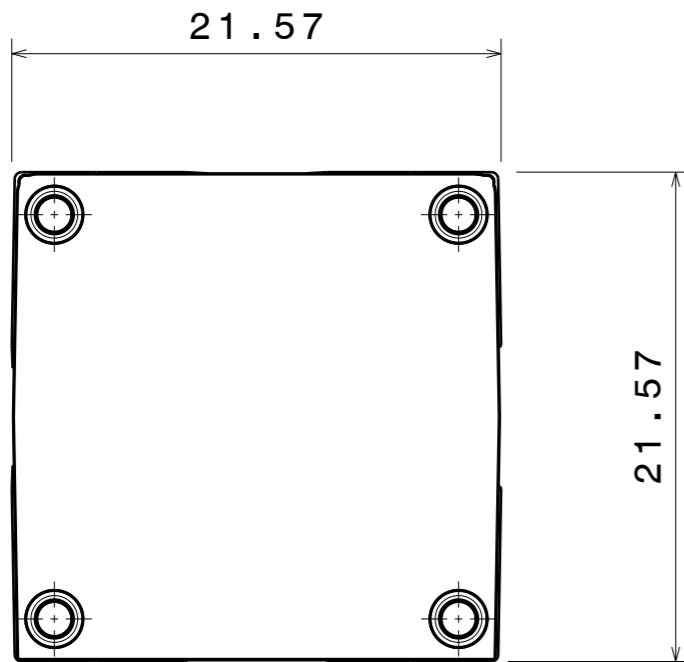


Isometric view



Direction A

INDEX	PART NO	DESCRIPTION	MATERIAL	COLOUR
1	C15050	ROSE-TAPE	Acrylic foam	adhesive
2	C14688	G2-ROSE-LT-HLD	Pc	black
3	F14687	G2-ROSE-UV-W	LSR silicone	clear

Tolerances if not otherwise shown
 According to DIN ISO 2768-1
 Linear measures:
 up to 30mm class M, otherwise class C
 According to DIN ISO 2768-2
 Form and position: class L



Ledil Oy
 Salorankatu 10
 FIN 24240 SALO
 Finland

THIRD ANGLE PROJECTION:

DRAWING TITLE
 FCA15009_G2-ROSE-UV-W

This drawing is the property
 of LEDiL Oy. It may not be
 reproduced, copied or
 communicated without a written
 agreement with LEDiL Oy.

SIZE PART NUMBER
 A3 FCA15009

SCALE 3:1 WEIGHT 9 g SHEET 1/1